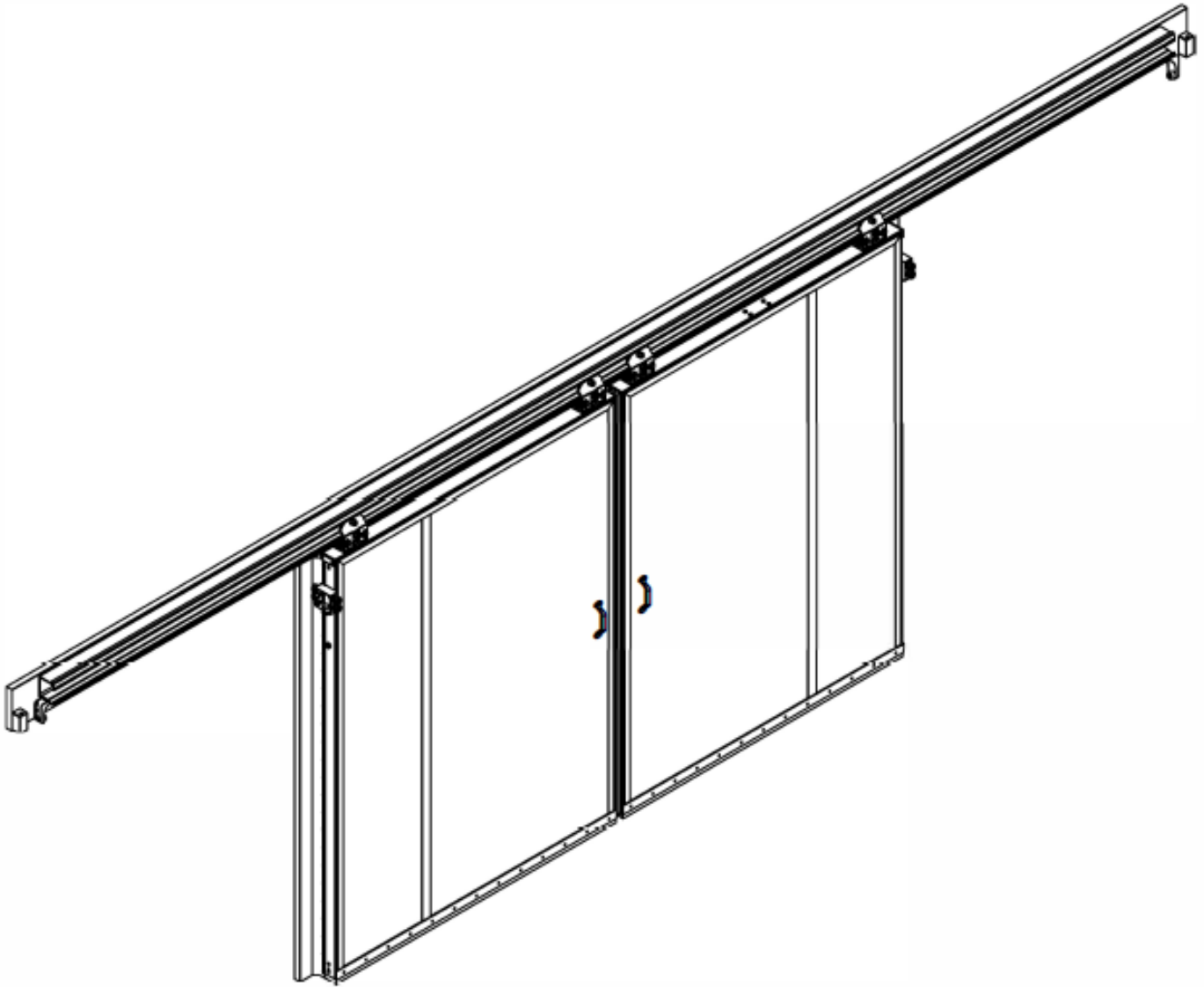


HERCULES™ Doors
BI-PARTING DOOR
MODEL BPM-EHD
INSTALLATION INSTRUCTIONS



Hercules - A Senneca Company
10021 Commerce Park Dr.
Cincinnati, OH 45246
Ph: 855-447-4957 / 800-543-4455
www.herculesdoors.com

1	1.1	Notice to Installer & Door Specification	3
	1.2	Installation tool requirements	4
2	Installation		
	2.1	Installing vertical casing	5
		Installing vertical casing continued	6
	2.2	Installing vertical casing- thru-wall mirror casing	7
	2.3	Installing vertical casing- mirror casing assembly	8
	2.4	Installing track header & vertical casing	9
	2.5	Installing track header, vertical casing, thru-wall, & mirror header assembly	10
	2.6	Installing track header, vertical casing, & mirror casing	11
	2.7	Installing door & roller/hanger, panel adjustment	12
	2.8	Installing under panel floor guide	13
	2.9	Installing outboard roller guide & adjustments	14
3	Electrical Connections		
	3.1	Electrical connections-Door junction box	15
4	Details/Views		
	4.1	Trailing edge side view under panel guide	16
	4.2	Trailing edge side view outboard roller	17
5	Finishing		
	5.1	Final adjustments & clean-up	18

Hercules - A Senneca Company
10021 Commerce Park Dr.
Cincinnati, OH 45246
Ph: 855-447-4957 / 800-543-4455
www.herculesdoors.com

HERCULES™ Bi-PARTING DOOR INSTALLATION INSTRUCTIONS

DRAWN BY: DSD DATE: 11/29/11

1.1 Notice to installer (Please read this notice before attempting installation)

Hercules doors are high quality products that are time tested to function properly if installed in accordance with the installation instructions. It is in the installer's best interest that the doors be installed properly. Please read and follow the installation instructions carefully to avoid costly time on the job correcting installation mistakes. **Hercules** warrants our products for defects in material and workmanship only. Since the installation of our products is beyond our control, **Hercules does not** warranty labor.

It is the responsibility of the installer to make sure that the mounting structure (walls) to which the door is to be attached is straight, level, and on the same plane with each other around the door opening as well as the floor surface. If these conditions cannot be met, the vertical casings and header must be shimmed to ensure that the door, when properly adjusted, will provide the proper sealing required. The floor must be flat, level, and in good condition for the bottom seal to be effective.

Warning!

Only qualified and experienced cold storage door installers and electricians should attempt to install or service this product. Installation by non-qualified personnel may result in serious injury during the installation process or during actual operation and in the use of this door.

Avertissement!

Seulement du personnel qualifié devrait faire l'installation de cette porte. L'installation fait par du personnel non-qualifié, peut entraîner des blessures graves durant l'installation et / ou l'utilisation de la porte.

Please Note! (Heater Voltage is 115 V AC For Freezer Doors)

VEUILLEZ NOTER! Voltage du câble chauffant est 120 V AC pour les portes de congélateurs

Hercules may be reached at: 1.800.543.4455 if assistance is required.

Door Specifications:

Size: Width in clear in inches (W.I.C) =

Door serial #

Height in clear in inches (H.I.C.) =

Note: If door is a thru-wall model, rough opening will need to be 3¼" wider than the W.I.C. and 15⁄8" taller than the H.I.C.

Door Model: **BPM-EHD** Thru-wall: Yes No Wall Thickness:

Opening Direction: **BP**

Door Style: Freezer Cooler Door Heater (Freezer Doors Only): 115 Volts AC Watts

Door Type (Manual/Electric): **MANUAL**

Door Operator Voltage: N/A

Door Activation Devices: N/A

Bottom Guide System: Under Panel Outboard Guide

**DOOR HEATER VOLTAGE APPLIES
TO FREEZER DOORS ONLY!
COOLER DOORS DO NOT HAVE
HEATER WIRES!**

HERCULES™ *Bi-PARTING DOOR* INSTALLATION INSTRUCTIONS

DRAWN BY: DSD DATE: 11/29/11

1.2 These are the tools that might be required for installation

1.2 Ce sont les outils qui pourraient être requis pour l'installation



PRYBAR



C-CLAMP



COMBINATION
WRENCHES



HAMMER



ELECTRIC
DRILL



WISE
GRIPS



DRILL BIT
SET



HAMMER
DRILL



LEVEL



RUBBER
MALLET



MEASURING
TAPE



UTILITY
KNIFE



TIN
SNIPS/SCISSORS



CAULKING
GUN



SHIMS



LADDER



SOCKET
WRENCH
SET



SCREWDRIVER
SET



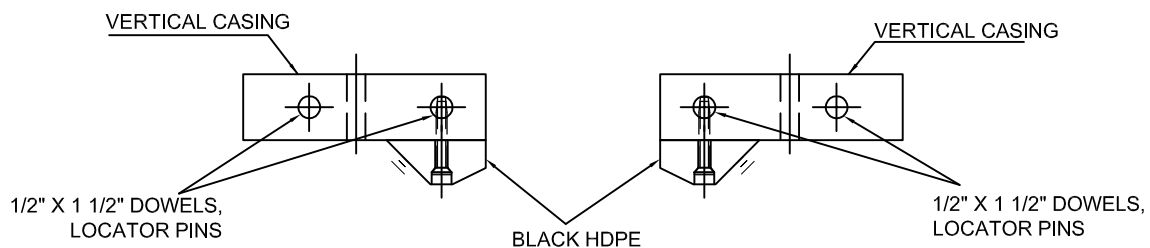
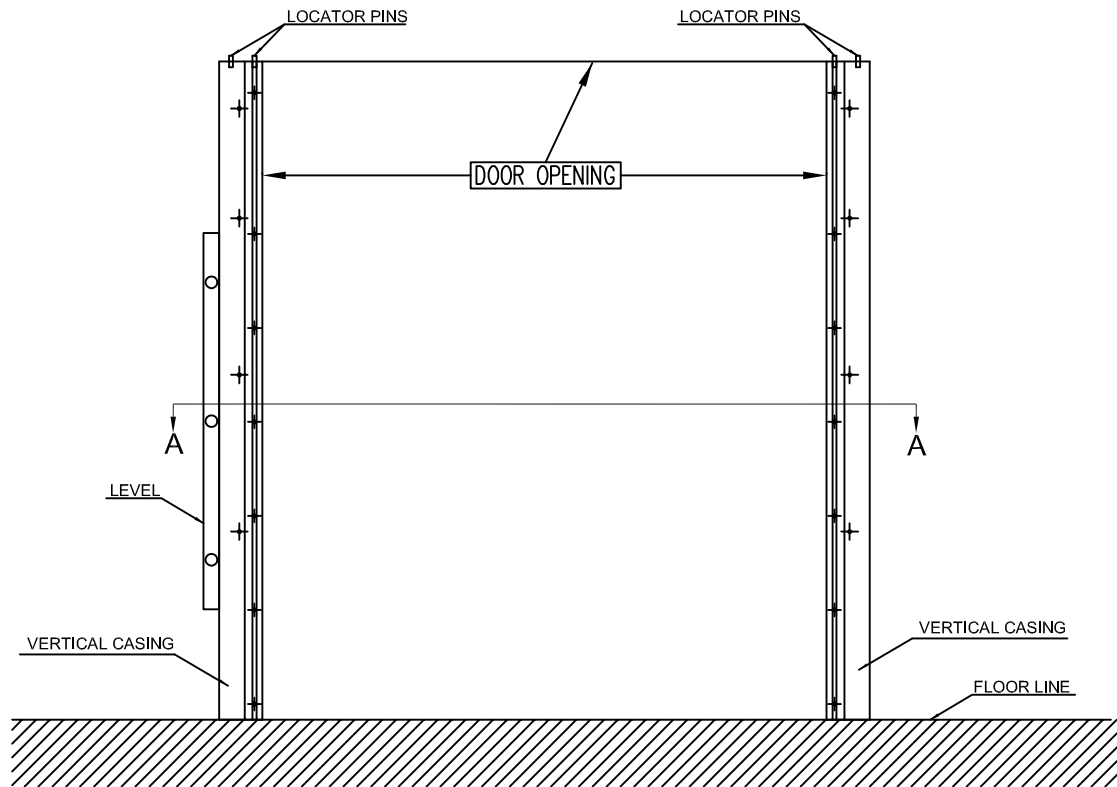
BUTYL CAULK



LIFTING
EQUIPMENT MAY
BE REQUIRED
DEPENDING ON
DOOR SIZE

HERCULES™ *Bi-PARTING DOOR* INSTALLATION INSTRUCTIONS

DRAWN BY: DSD DATE: 11/29/11



SECTION A-A

2.1 VERTICAL CASING INSTALLATION

STEP - 1. PREPARATION:

MEASURE WIDTH AND HEIGHT OF FRAMED OPENING AND COMPARE WITH DIMENSIONS GIVEN AT TIME OF ORDERING.

STEP - 2.

BUTYL CAULK (BY OTHERS) IS RECOMMENDED AND SHOULD BE APPLIED TO WALL SIDE OF CASINGS BEFORE INSTALLATION.

STEP - 3.

STAND ONE VERTICAL CASING UP TO THE WALL ALONG AN EDGE OF DOOR OPENING.

STEP - 4.

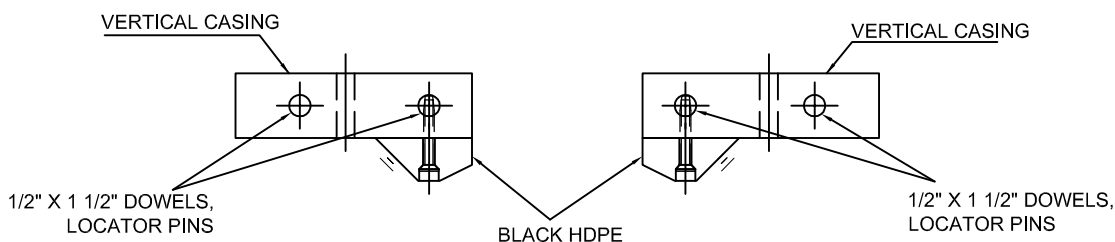
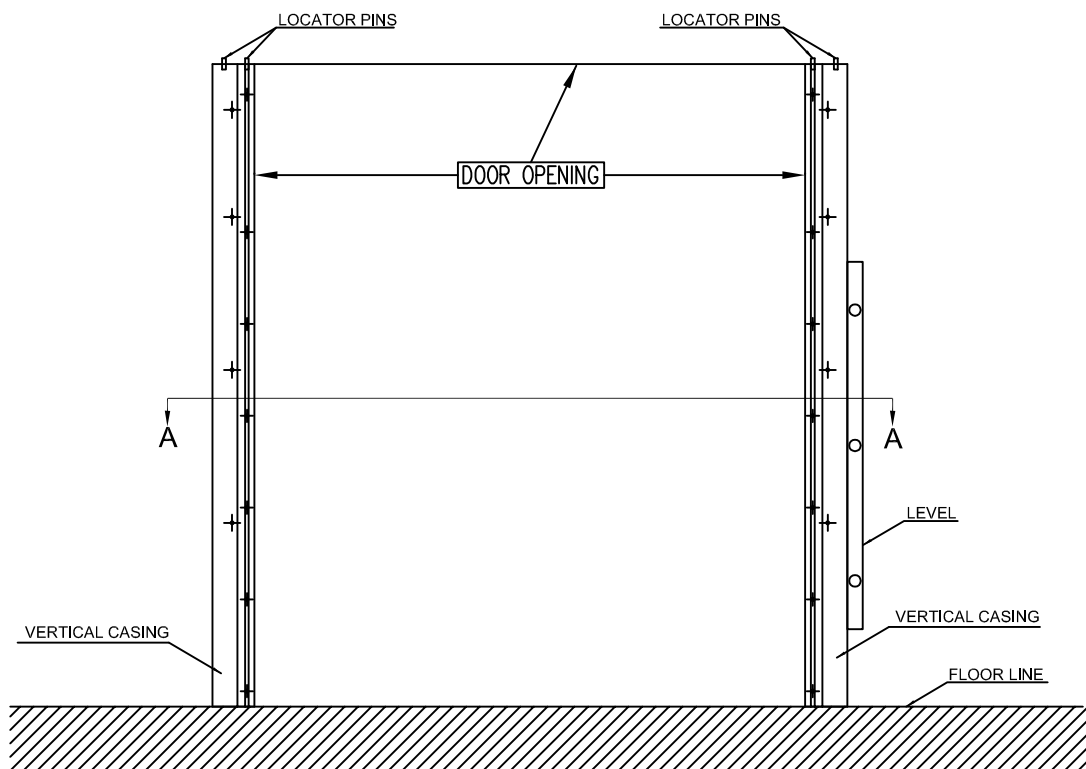
USING A LEVEL, MAKE SURE THE CASING IS STRAIGHT AND PLUMB.

STEP - 5.

IF BOTTOM OF CASING IS LOWER THAN HIGH POINT IN FLOOR, SHIM UNDER BOTTOM OF CASING SO THAT IT IS LEVEL WITH HIGH POINT IN FLOOR. THEN TEMPORARILY CLAMP OR LAG THE CASING TO THE WALL.

HERCULES™ *Bi-PARTING DOOR* INSTALLATION INSTRUCTIONS

DRAWN BY: DSD | DATE: 11/29/11



SECTION A-A

VERTICAL CASING INSTALLATION CONTINUED

STEP - 6.

- STAND THE OTHER VERTICAL CASING UP TO THE WALL ALONG THE OTHER EDGE OF DOOR OPENING.
- ADJUST THE CASING TO BE THE SPECIFIED WIDTH IN CLEAR OF THE DOOR OPENING AS SPECIFIED ON PAGE 2 OF THESE INSTRUCTIONS.
- THIS CASING MAY HAVE TO BE ADJUSTED SLIGHTLY WHEN THE HEADER IS INSTALLED SO AS TO ALIGN WITH HOLES IN HEADER FOR LOCATOR PINS (NOT ON THRU-WALL JAMBS MODEL).

STEP - 7.

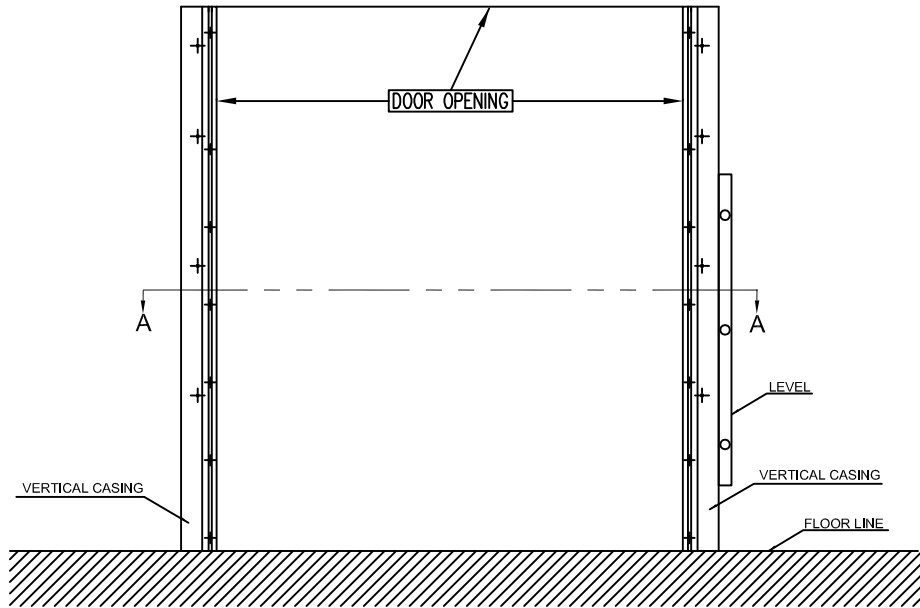
USING A LEVEL, MAKE SURE THE CASING IS STRAIGHT AND PLUMB. ALSO CHECK TOP OF CASINGS WITH STRING, WATER, OR LASER LEVEL TO MAKE SURE THEY ARE LEVEL.

STEP - 8.

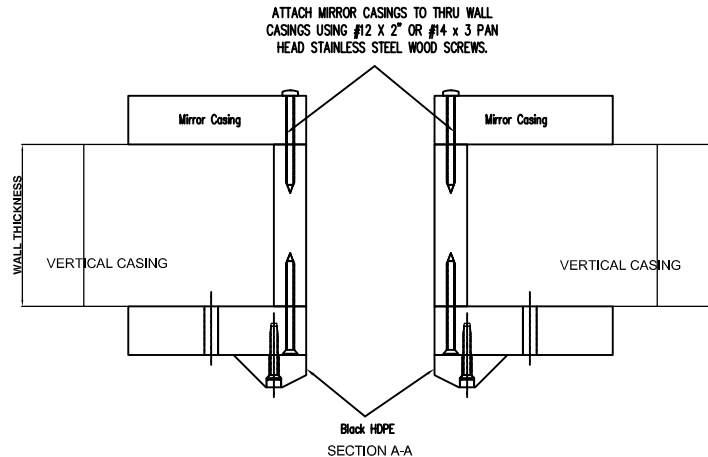
IF BOTTOM OF CASING IS LOWER THAN HIGH POINT IN FLOOR, SHIM UNDER BOTTOM OF CASING SO THAT IT IS LEVEL WITH HIGH POINT IN FLOOR. THEN TEMPORARILY CLAMP OR LAG THE CASING TO THE WALL.

HERCULES™ Bi-PARTING DOOR INSTALLATION INSTRUCTIONS

DRAWN BY: DSD DATE: 11/29/11



For 1 1/2" thick thru wall casings (Finish Opening = Rough Opening Width - 3 1/2" and Rough Opening Height - 1 3/4")
 For 1" thick thru wall casings (Finish Opening = Rough Opening Width - 2 1/2" and Rough Opening Height - 1 1/4")



2.2 VERTICAL CASING INSTALLATION INSTRUCTIONS - THRU-WALL MIRROR CASING

STEP - 1.

- a) STAND THE VERTICAL CASING UP TO THE WALL ALONG THE TRAILING EDGE OF DOOR OPENING (BY SLIDING THRU-WALL INTO ROUGH OPENING) AND MIRROR IMAGE VERTICAL CASING ON OPPOSITE SIDE OF PANEL OR WALL.
- b) ADJUST THE CASING TO BE THE SPECIFIED WIDTH IN CLEAR OF THE DOOR OPENING AS SPECIFIED ON PAGE 3 OF THESE INSTRUCTIONS.
- c) GENTLY TAP THE MIRROR IMAGE VERTICAL CASING WITH A RUBBER Mallet TO ALIGN WITH THRU-WALL.
- d) USING LARGE C-CLAMPS, LIGHTLY SECURE BOTH CASINGS TO THE PANEL OR WALL

STEP - 2.

BUTYL CAULK (BY OTHERS) IS RECOMMENDED AND SHOULD BE APPLIED TO WALL SIDE OF CASINGS BEFORE INSTALLATION.

STEP - 3.

USING A LEVEL, MAKE SURE THE CASING IS STRAIGHT AND PLUMB. ALSO CHECK TOP OF CASINGS WITH STRING, WATER, OR LASER LEVEL TO MAKE SURE THEY ARE LEVEL.

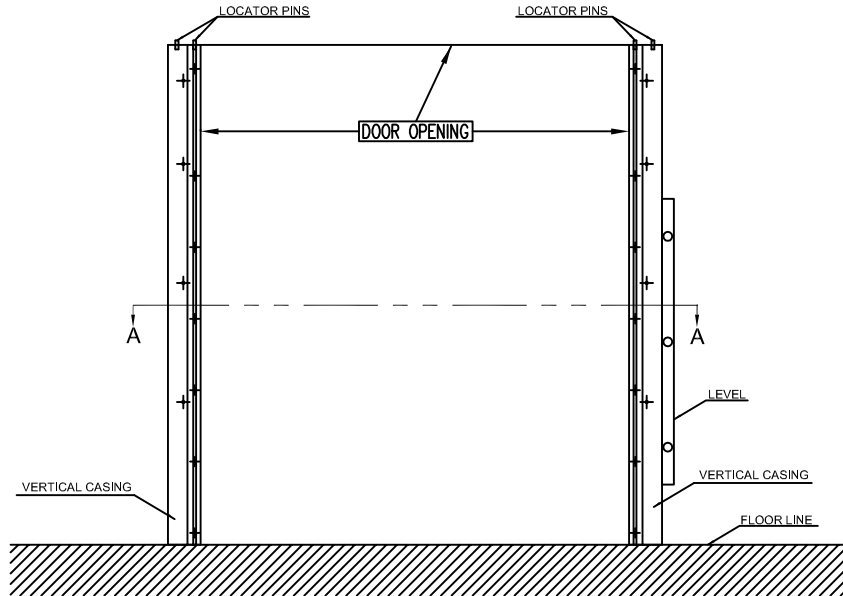
STEP - 4.

IF BOTTOM OF CASING IS LOWER THAN HIGH POINT IN FLOOR, SHIM UNDER BOTTOM OF CASING SO THAT IT IS LEVEL WITH HIGH POINT IN FLOOR. THEN TEMPORARILY CLAMP OR LAG THE CASING TO THE WALL.

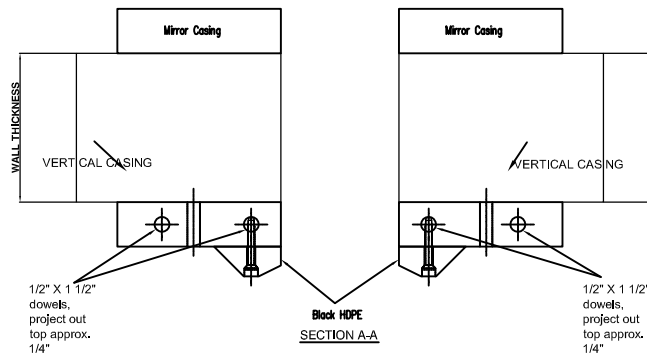
REPEAT THIS PROCEDURE FOR OPPOSITE EDGE.

HERCULES™ Bi-PARTING DOOR INSTALLATION INSTRUCTIONS

DRAWN BY: DSD DATE: 11/29/11



For 1 1/2" thick thru wall casings (Finish Opening = Rough Opening Width - 3 1/2" and Rough Opening Height - 1 3/4")
 For 1" thick thru wall casings (Finish Opening = Rough Opening Width - 2 1/2" and Rough Opening Height - 1 1/4")



2.3 VERTICAL CASING INSTALLATION INSTRUCTIONS- MIRROR CASINGS

STEP - 1.

- STAND THE VERTICAL CASING AND MIRROR IMAGE CASING ON OPPOSITE SIDE OF WALL UP TO THE WALL ALONG THE EDGE OF DOOR OPENING.
- ADJUST THE CASING TO BE THE SPECIFIED WIDTH IN CLEAR OF THE DOOR OPENING AS SPECIFIED ON PAGE 3 OF THESE INSTRUCTIONS.
- GENTLY TAP THE MIRROR IMAGE VERTICAL CASING WITH A RUBBER Mallet TO ALIGN WITH OPENING.
- USING LARGE C-CLAMPS, LIGHTLY SECURE BOTH CASINGS TO THE PANEL OR WALL
- THIS CASING MAY HAVE TO BE ADJUSTED SLIGHTLY WHEN THE HEADER IS INSTALLED SO AS TO ALIGN WITH HOLES IN HEADER FOR LOCATOR PINS.

STEP - 2.

BUTYL CAULK (BY OTHERS) IS RECOMMENDED AND SHOULD BE APPLIED TO WALL SIDE OF CASINGS BEFORE INSTALLATION.

STEP - 3.

USING A LEVEL, MAKE SURE THE CASING IS STRAIGHT AND PLUMB. ALSO CHECK TOP OF CASINGS WITH STRING, WATER, OR LASER LEVEL TO MAKE SURE THEY ARE LEVEL.

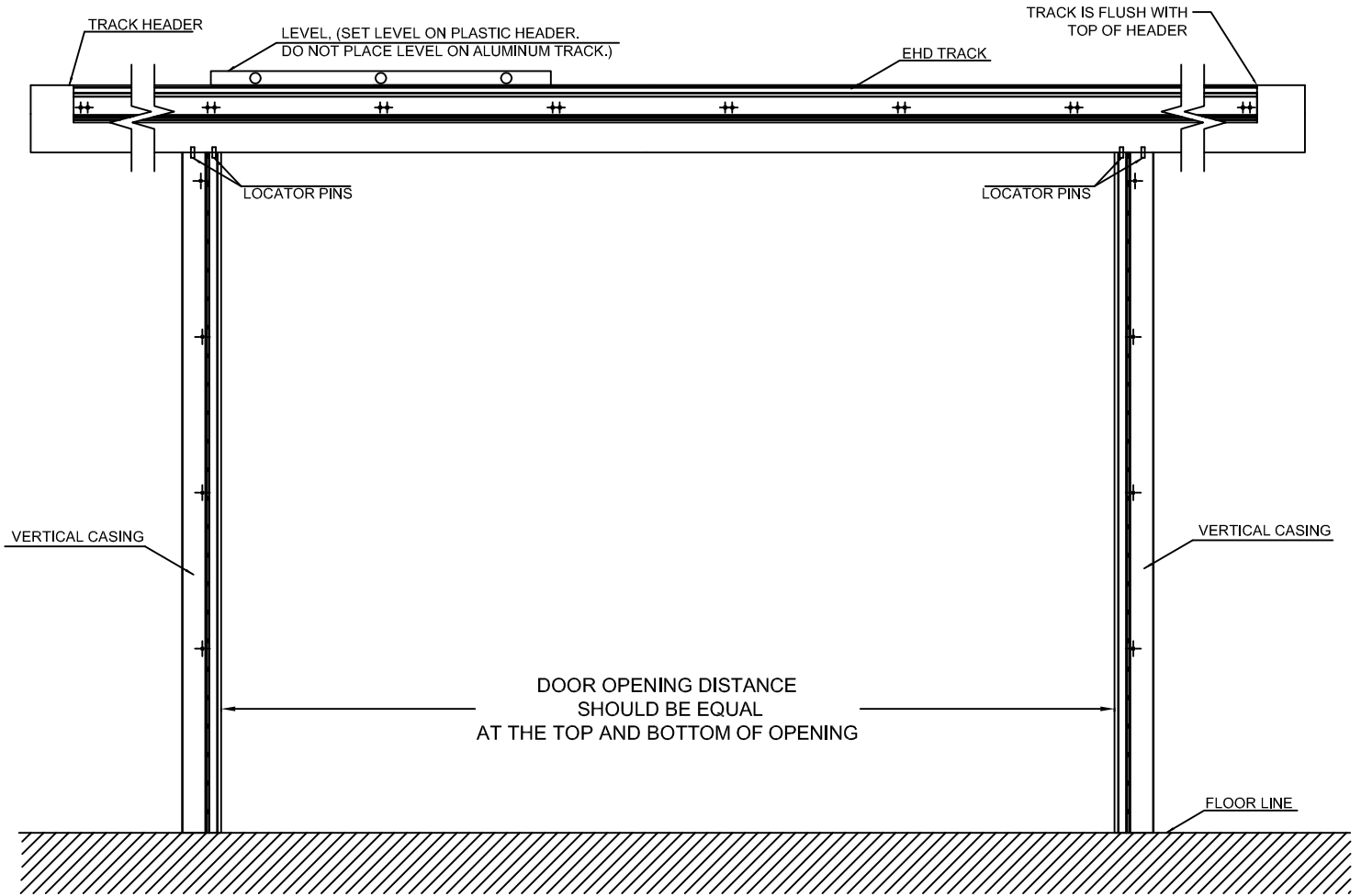
STEP - 4.

IF BOTTOM OF CASING IS LOWER THAN HIGH POINT IN FLOOR, SHIM UNDER BOTTOM OF CASING SO THAT IT IS LEVEL WITH HIGH POINT IN FLOOR. THEN TEMPORARILY CLAMP OR LAG THE CASING TO THE WALL.

REPEAT THIS PROCEDURE FOR OPPOSITE EDGE.

HERCULES™ *Bi-PARTING DOOR* INSTALLATION INSTRUCTIONS

DRAWN BY: DSD DATE: 11/29/11



2.4 TRACK HEADER & VERTICAL CASING ASSEMBLY

STEP - 1.

- a) IF ORDERED, REMOVE THE COVER FROM THE TRACK.
- b) USING PROPER METHOD OF LIFTING THE TRACK HEADER, RAISE TRACK HEADER ABOVE THE CASINGS AND LOWER IT DOWN ON TO THE LOCATOR PINS.
- c) AT THIS POINT IT MAY BE NECESSARY TO ADJUST THE POSITION OF THE VERTICAL CASING SLIGHTLY TO ALIGN THE PINS.

STEP - 2.

BUTYL CAULK (BY OTHERS) IS RECOMMENDED AND SHOULD BE APPLIED TO WALL SIDE OF CASINGS BEFORE INSTALLATION.

STEP - 3.

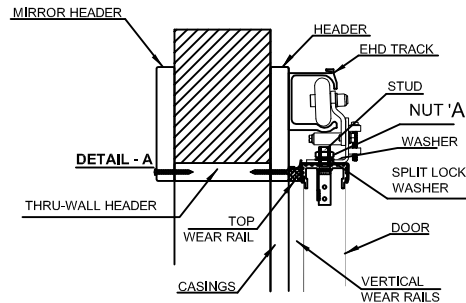
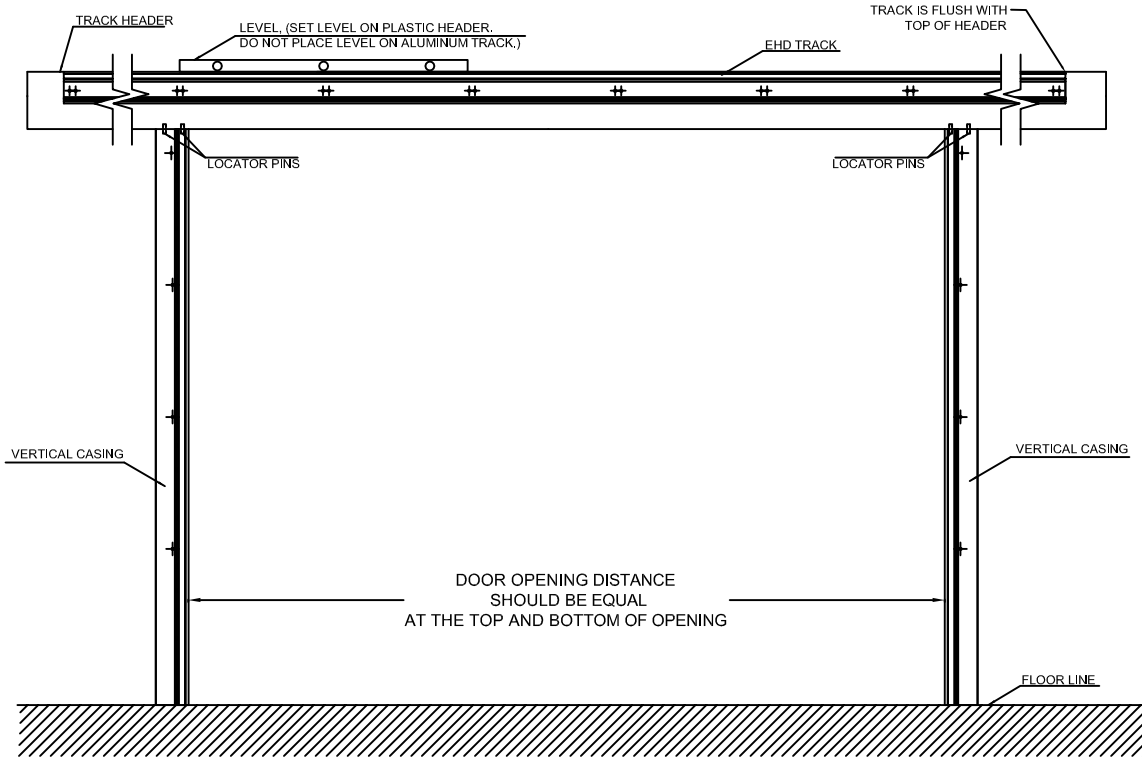
- a) USING A LEVEL, CHECK TO MAKE SURE HEADER IS LEVEL, STRAIGHT AND TRUE. LEVEL THE MOLDED PLASTIC HEADER, "NOT THE ALUMINUM TRACK"!

STEP - 4.

- a) DRILL A $\frac{3}{8}$ " HOLE THROUGH THE PRE-DILLED HOLES IN THE HEADER, VERTICAL CASINGS, AND THROUGH THE WALL OR BOX.
- b) USING THE CARRIAGE BOLTS SUPPLIED IN THE HARDWARE PARTS BOX, INSERT THE BOLTS & TIGHTEN. DO NOT CUT OFF BOLTS AT THIS TIME.
- c) CARRIAGE BOLT HEADS SHOULD BE INSTALLED ON DOOR SIDE OF WALL. NUTS AND WASHERS SHOULD BE USED ON OPPOSITE SIDE OF WALL FROM DOOR.

HERCULES™ Bi-PARTING DOOR INSTALLATION INSTRUCTIONS

DRAWN BY: DSD DATE: 11/29/11



2.5 TRACK HEADER & VERTICAL CASING ASSEMBLY-THRU-WALL & MIRROR HEADER

STEP - 1.

- IF ORDERED, REMOVE THE COVER FROM THE TRACK.
- USING PROPER METHOD OF LIFTING THE TRACK HEADER THRU-WALL AND MIRROR HEADER CASING, RAISE THEM ABOVE THE VERTICAL CASINGS.
- WHILE LOWERING HEADER DOWN ONTO THE LOCATOR PINS, SLIDE THRU-WALL INTO ROUGH OPENING, AND MOUNT MIRROR HEADER TO OPPOSITE SIDE OF PANEL OR WALL.
- AT THIS POINT IT MAY BE NECESSARY TO ADJUST THE POSITION OF THE VERTICAL CASING SLIGHTLY TO ALIGN THE PINS.
- USING LARGE C-CLAMPS, LIGHTLY SECURE BOTH CASINGS TO THE PANEL OR WALL.
- GENTLY TAP THE MIRROR IMAGE VERTICAL CASING WITH A RUBBER MALLET TO ALIGN WITH THRU-WALL.

STEP - 2.

BUTYL CAULK (BY OTHERS) IS RECOMMENDED AND SHOULD BE APPLIED TO WALL SIDE OF CASINGS BEFORE INSTALLATION.

STEP - 3.

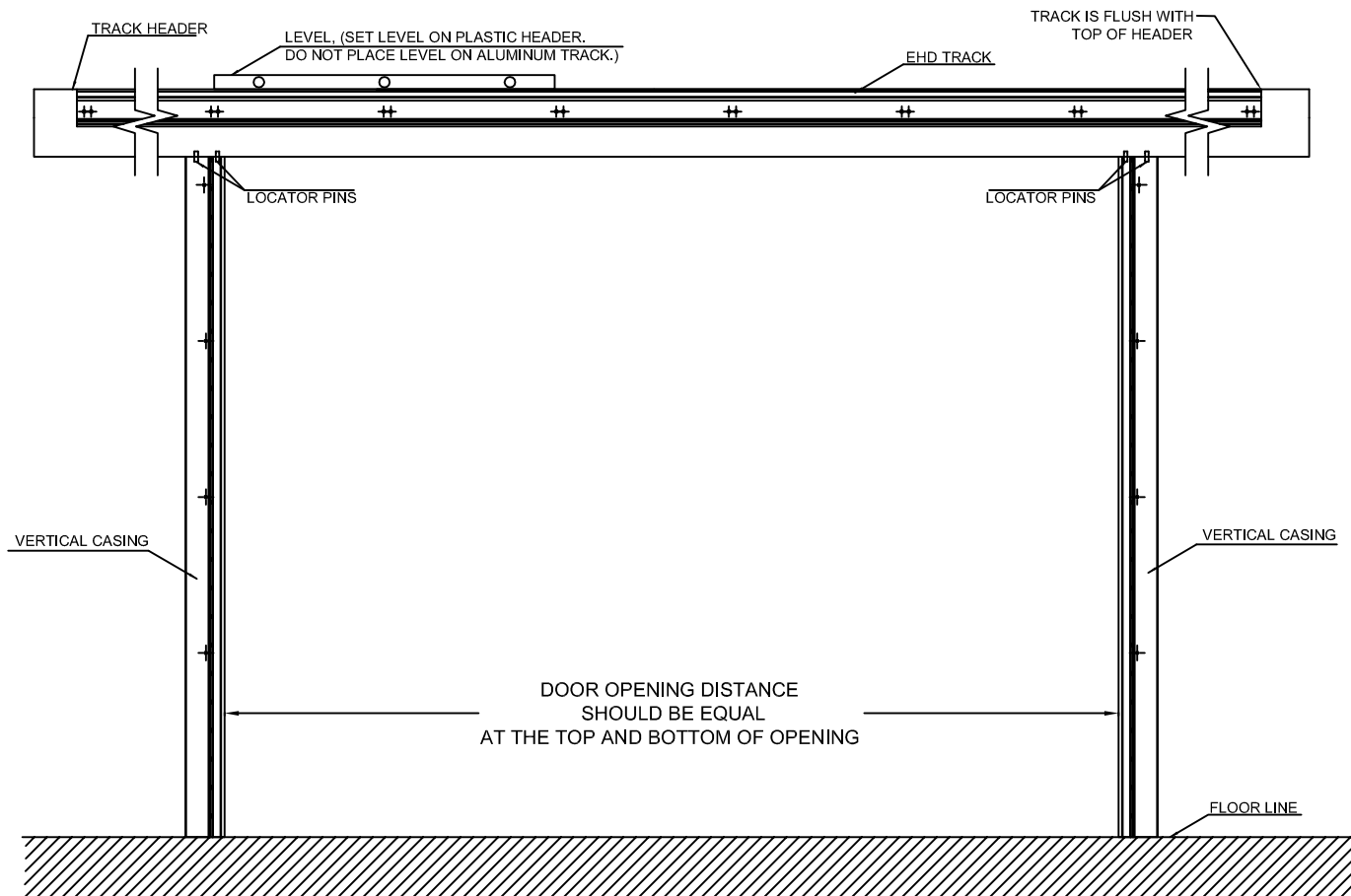
- USING A LEVEL, CHECK TO MAKE SURE HEADER IS LEVEL, STRAIGHT AND TRUE. LEVEL THE MOLDED PLASTIC HEADER, **NOT THE ALUMINUM TRACK!** ALUMINUM TRACK IS SLOPED AS SHOWN ON ELEVATION ABOVE.

STEP - 4.

- DRILL A $\frac{3}{8}$ " HOLE THROUGH THE PRE-DILLED HOLES IN THE HEADER AND VERTICAL CASINGS
- USING THE CARRIAGE BOLTS, NUTS, WASHERS, AND FENDER WASHERS SUPPLIED IN THE HARDWARE PARTS BOX, INSERT THE BOLTS & TIGHTEN. DO NOT CUT OFF BOLTS AT THIS TIME.
- CARRIAGE BOLT HEADS SHOULD BE INSTALLED ON DOOR SIDE OF WALL. NUTS AND WASHERS SHOULD BE USED ON OPPOSITE SIDE OF WALL FROM DOOR.

HERCULES *Bi-PARTING DOOR* INSTALLATION INSTRUCTIONS

DRAWN BY: DSD DATE: 11/29/11



2.6 TRACK HEADER & VERTICAL CASING ASSEMBLY - MIRROR HEADER

STEP - 1.

- IF ORDERED, REMOVE THE COVER FROM THE TRACK.
- USING PROPER METHOD OF LIFTING THE TRACK HEADER AND MIRROR HEADER CASING, RAISE THEM ABOVE THE VERTICAL CASINGS.
- WHILE LOWERING HEADER DOWN ONTO THE LOCATOR PINS, MOUNT MIRROR HEADER TO OPPOSITE SIDE OF PANEL OR WALL.
- AT THIS POINT IT MAY BE NECESSARY TO ADJUST THE POSITION OF THE VERTICAL CASING SLIGHTLY TO ALIGN THE PINS.
- USING LARGE C-CLAMPS, LIGHTLY SECURE BOTH CASINGS TO THE PANEL OR WALL.
- GENTLY TAP THE MIRROR IMAGE VERTICAL CASING WITH A RUBBER MALLETT TO ALIGN WITH OPENING.

STEP - 2.

BUTYL CAULK (BY OTHERS) IS RECOMMENDED AND SHOULD BE APPLIED TO WALL SIDE OF CASINGS BEFORE INSTALLATION.

STEP - 3.

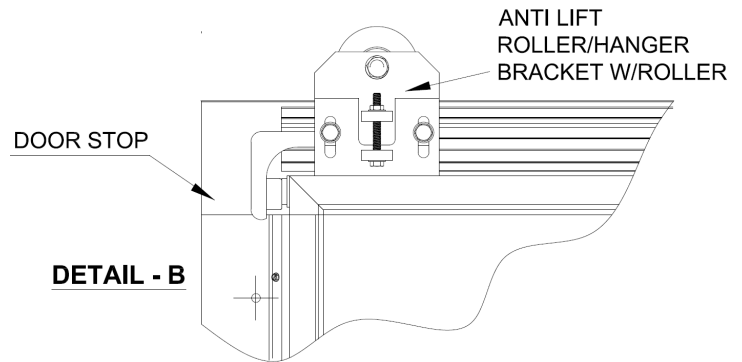
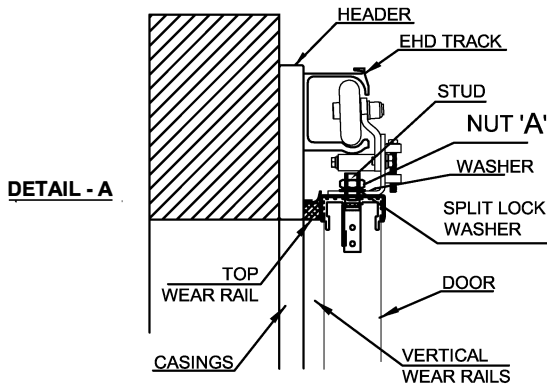
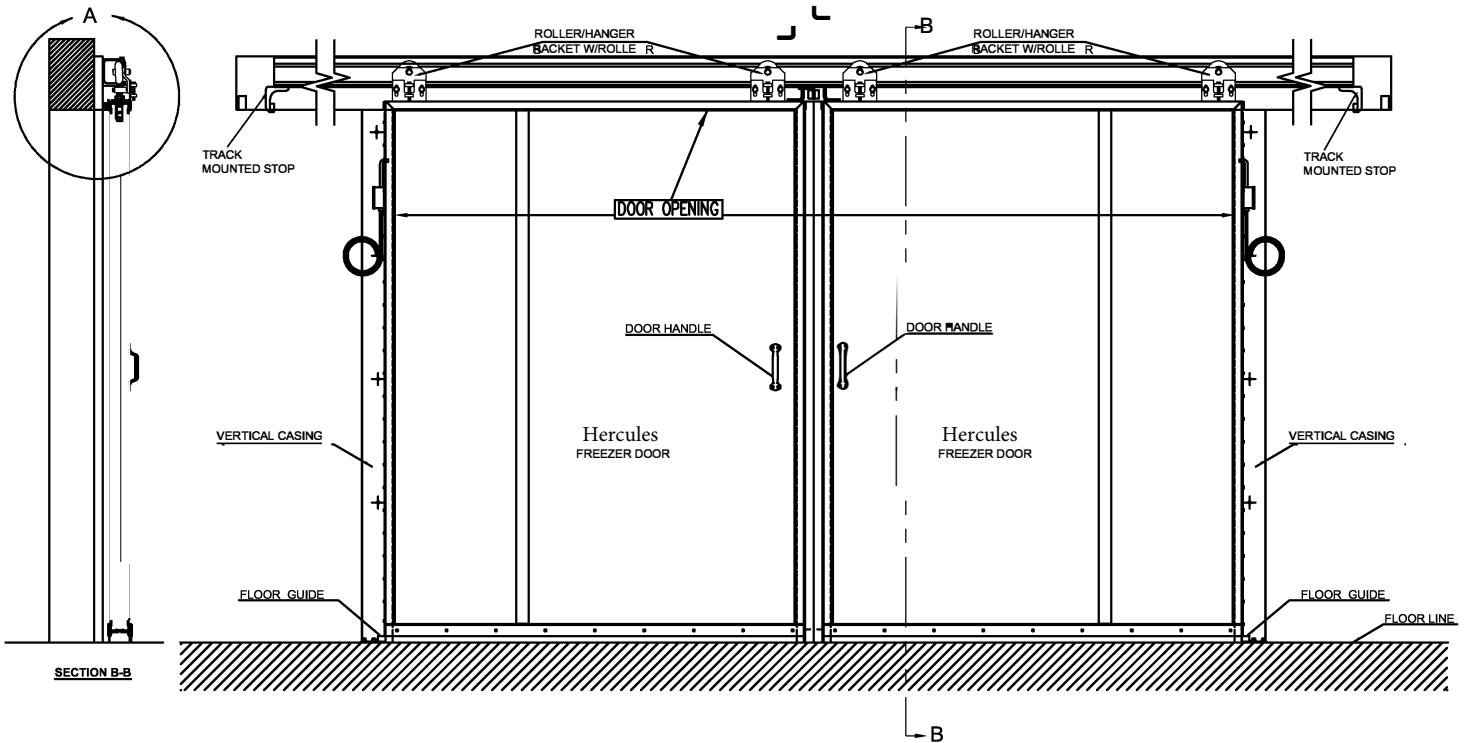
- USING A LEVEL, CHECK TO MAKE SURE HEADER IS LEVEL, STRAIGHT AND TRUE. LEVEL THE MOLDED PLASTIC HEADER, **NOT THE ALUMINUM TRACK!** ALUMINUM TRACK IS SLOPED AS SHOWN ON ELEVATION ABOVE.

STEP - 4.

- DRILL A $\frac{3}{8}$ " HOLE THROUGH THE PRE-DILLED HOLES IN THE HEADER AND VERTICAL CASINGS
- USING THE CARRIAGE BOLTS, NUTS, WASHERS, AND FENDER WASHERS SUPPLIED IN THE HARDWARE PARTS BOX, INSERT THE BOLTS & TIGHTEN. DO NOT CUT OFF BOLTS AT THIS TIME.
- CARRIAGE BOLT HEADS SHOULD BE INSTALLED ON DOOR SIDE OF WALL. NUTS AND WASHERS SHOULD BE USED ON OPPOSITE SIDE OF WALL FROM DOOR.

HERCULES Bi-PARTING DOOR INSTALLATION INSTRUCTIONS

DRAWN BY: DSD DATE: 11/29/11



2.7 INSTALLING DOOR & ROLLER/HANGER, PANEL ADJUSTMENT

STEP - 1.

- SLIDE THE ROLLER/HANGER BRACKETS W/ROLLER (LOCATED IN HARDWARE PARTS BOX) ONTO THE RAIL FROM ONE END OF THE RAIL.
- POSITION THEM ON THE RAIL APPROXIMATELY THE SAME DISTANCE AS THE STUDS ON THE DOOR AND NEAR THE CENTER OF THE DOOR OPENING.

STEP - 2. (SEE DETAIL - A & B)

- STAND THE DOOR UPRIGHT, AND ENGAGE THE ROLLER/HANGER BRACKETS WITH THE STUDS ON THE DOOR.
- TIGHTEN ROLLER/HANGER BRACKETS TO TOP OF THE DOOR WITH 3/8-16 NUTS, FLAT AND LOCK WASHERS PROVIDED. MAKE SURE WHEEL IS ALIGNED PARALLEL TO TRACK AND TIGHTEN NUTS 'A' TO SECURE ROLLER/HANGER TO TOP OF DOOR.
- ADJUST THE HEIGHT OF THE DOOR BY LOOSENING BOLTS 'B' AND ADJUSTING DOOR HEIGHT WITH JACK BOLT 'C'. ADJUST HEIGHT OF DOOR SO THAT THE SEAL IS JUST TOUCHING THE FLOOR. (SEAL IS ONLY ADJUSTABLE AT THE FRONT OF THE DOOR). TIGHTEN BOLTS 'B' TO SECURE DOOR HEIGHT.

STEP - 3. (SEE DETAIL - A)

- LOOSEN NUTS 'A' AND ADJUST DOOR "IN" TOWARDS THE WEAR RAILS ON THE VERTICAL CASINGS AND TOP HEADER WEAR RAIL SO THAT YOU HAVE A GOOD SEAL.

***IF COOLER DOOR, LEAVE 1/4" GAP BETWEEN DOOR & RAILS
 IF FREEZER, LEAVE 1/8" GAP BETWEEN DOOR & RAILS***

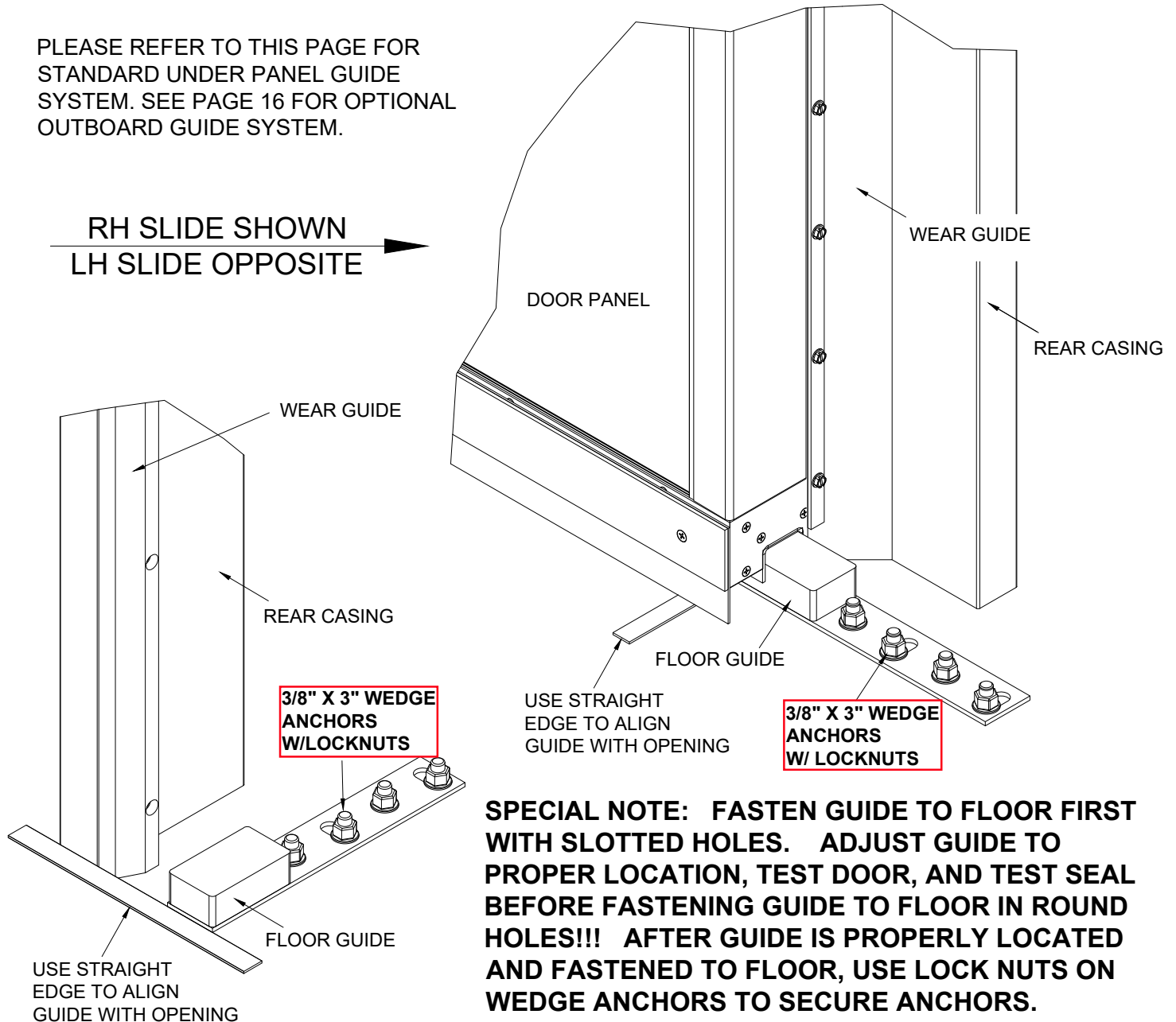
- RECHECK ALIGNMENT AND THAT THE WHEEL IS PARALLEL WITH TRACK.
- YOU MUST HAVE THE DOOR SLIGHTLY OPEN SO THAT THE DOOR WILL REST AGAINST THE WEAR RAIL WITHOUT PINCHING THE RUBBER SEAL ON THE LEADING EDGE SIDE AGAINST THE WEAR RAIL.

HERCULES™ *Bi-PARTING DOOR* INSTALLATION INSTRUCTIONS

DRAWN BY: M.C. DATE: 1/30/24

PLEASE REFER TO THIS PAGE FOR
 STANDARD UNDER PANEL GUIDE
 SYSTEM. SEE PAGE 16 FOR OPTIONAL
 OUTBOARD GUIDE SYSTEM.

RH SLIDE SHOWN
 LH SLIDE OPPOSITE



SPECIAL NOTE: FASTEN GUIDE TO FLOOR FIRST WITH SLOTTED HOLES. ADJUST GUIDE TO PROPER LOCATION, TEST DOOR, AND TEST SEAL BEFORE FASTENING GUIDE TO FLOOR IN ROUND HOLES!!! AFTER GUIDE IS PROPERLY LOCATED AND FASTENED TO FLOOR, USE LOCK NUTS ON WEDGE ANCHORS TO SECURE ANCHORS.

INSTALLING FLOOR GUIDE & PANEL ADJUSTMENT

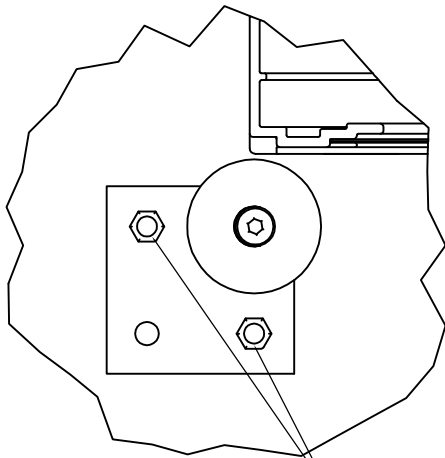
STEP - 1. (SEE DETAILS ABOVE)

- a) PLACE THE DOOR IN THE FULLY CLOSED POSITION. MAKE SURE THE DOOR IS PLUMB AND SEALS AS DESIRED.
- b) PLACE A STRAIGHT EDGE UNDER THE DOOR AND INSIDE THE OPENING AS SHOWN IN THE DETAILS ABOVE. SLIDE THE FLOOR GUIDE INSIDE THE GUIDE CHANNEL AT THE TRAILING EDGE OF THE PANEL UNTIL IT BUTTS AGAINST THE STRAIGHT EDGE.
- c) PLACE GUIDE IN THE CHANNEL SO THAT THE PROPER GAP IS HELD BETWEEN THE DOOR AND CASING WEAR GUIDE. DO NOT PINCH THE DOOR BETWEEN THE FLOOR GUIDE AND THE WEAR GUIDE ON THE CASING. MAKE SURE THE PROPER GAP IS MAINTAINED BETWEEN THE DOOR AND THE WEAR GUIDE.
- d) DRILL FOUR 3/8" HOLES IN FLOOR MINIMUM 3 INCHES DEEP FOR 3/8" X 3" WEDGE ANCHORS IN THE SLOTTED HOLES
- e) FASTEN FLOOR GUIDE TO FLOOR AS SHOWN USING 3/8" X 3" WEDGE ANCHORS AND 3/8" FLAT WASHERS.
- f) CHECK TO MAKE SURE DOOR OPENS AND CLOSSES WITHOUT BINDING. IF DOOR BINDS, LOOSEN NUT ON ANCHOR, ADJUST FLOOR GUIDE, AND RE-TIGHTEN NUT. AFTER GUIDE IS POSITIONED PROPERLY AND DOORS SLIDES WITHOUT BINDING, ADD TWO MORE WEDGE ANCHORS IN THE ROUND HOLES TO PERMANENT LOCATE AND LOCK IN PLACE THE FLOOR GUIDE. USE LOCK NUTS ON TOP OF ALL WEDGE ANCHORS.

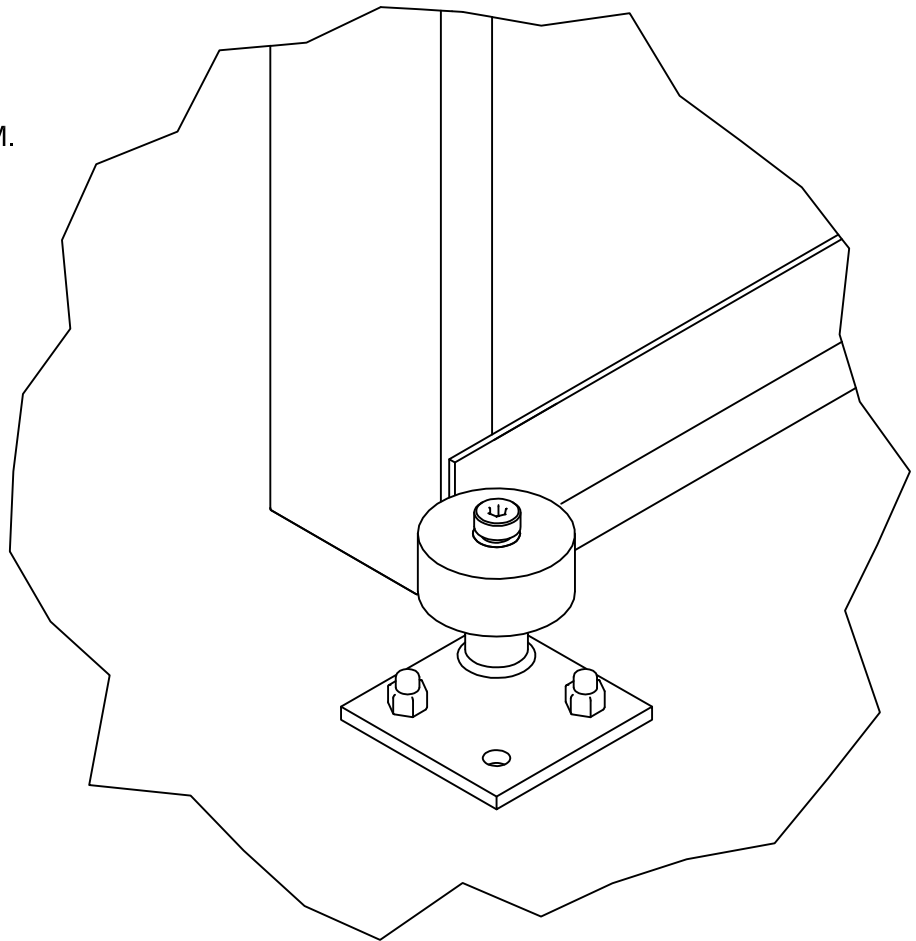
HERCULES™ Bi-PARTING DOOR INSTALLATION INSTRUCTIONS

DRAWN BY: DSD DATE: 11/29/11

PLEASE REFER TO THIS PAGE FOR
OPTIONAL OUTBOUND GUIDE SYSTEM.
SEE PAGE 15 FOR STANDARD UNDER
PANEL GUIDE SYSTEM.



INSTALL ANCHORS
IN THESE TWO HOLES



RH SLIDE SHOWN
LH SLIDE OPPOSITE

2.9 OUTBOARD FLOOR ROLLER INSTALLATION

STEP - 1.

- PUSH DOOR FULLY CLOSED AND BACK TOWARD THE CASING.
- WHILE HOLDING DOOR CLOSED, PLACE STAY ROLLER ON FLOOR AS SHOWN.
- ROLLER SHOULD CONTACT DOOR BRACKET AS SHOWN.
- MARK THE TWO HOLE LOCATIONS POINTED OUT IN DETAIL "A" ABOVE.
- DRILL TWO 3/8" HOLES IN FLOOR AT THESE LOCATIONS.
- INSTALL AND TIGHTEN TWO FLOOR ANCHORS.

STEP - 2.

- PULL DOOR OPEN AND CLOSED TO CHECK HOLD CLOSE FUNCTION.
- WHEN GIVING DOOR A MODERATE SLAM CLOSED, THE STAY ROLLER AND BRACKET SHOULD PREVENT DOOR FROM BOUNCING BACK OPEN.
- IF ANY FURTHER ADJUSTMENTS ARE NECESSARY, ONE FLOOR ANCHOR SHOULD BE REMOVED, AND ANOTHER ANCHOR INSTALLED IN THE THIRD, UNUSED HOLE.

HERCULES™ Bi-PARTING DOOR INSTALLATION INSTRUCTIONS

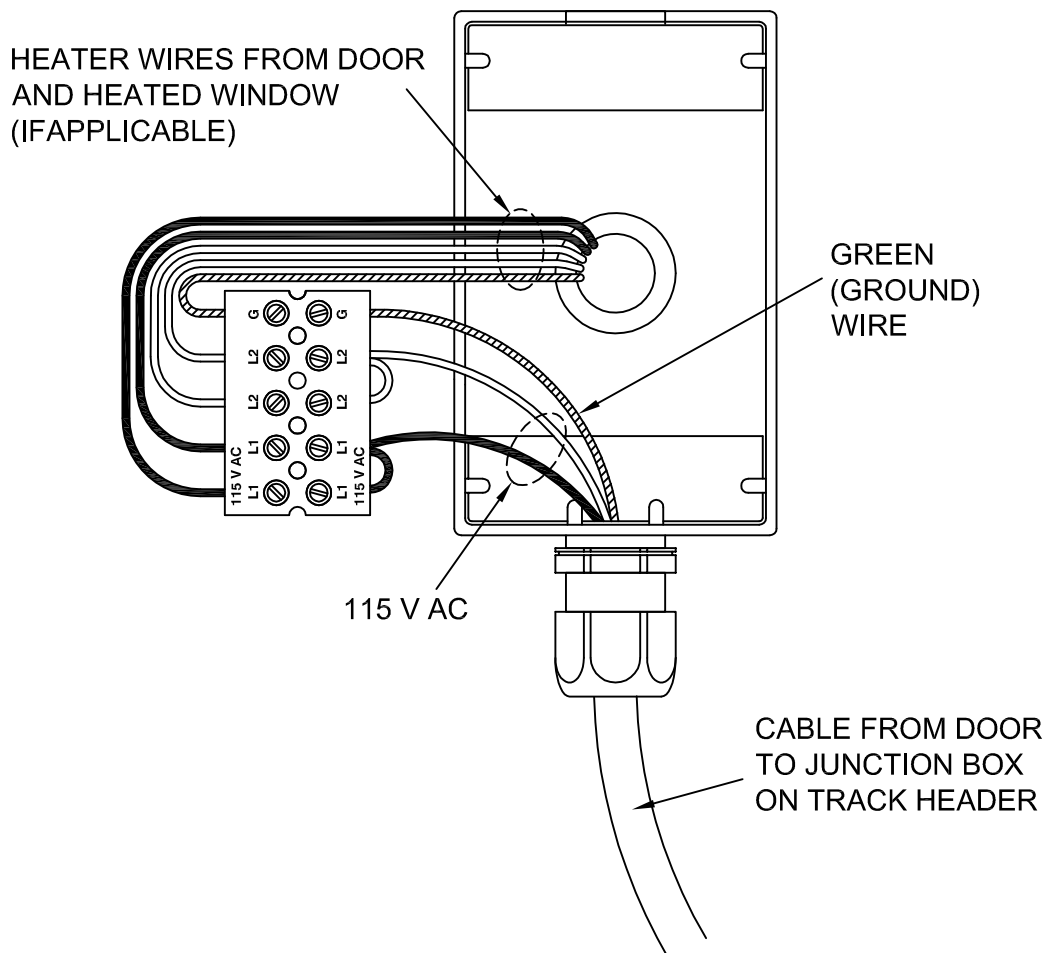
DRAWN BY: DSD | DATE: 11/29/11

3.1 ELECTRICAL CONNECTIONS-DOOR JUNCTION BOX

IMPORTANT: All electrical work must be performed by a licensed electrician. All electrical work must conform to the National Electric Code as well as any state or local requirements.

IMPORTANT: Tous les travaux d'électricité doivent être faits par un électricien qualifié. Tous les travaux d'électricités doivent être faites aux normes du code du bâtiment et locale.

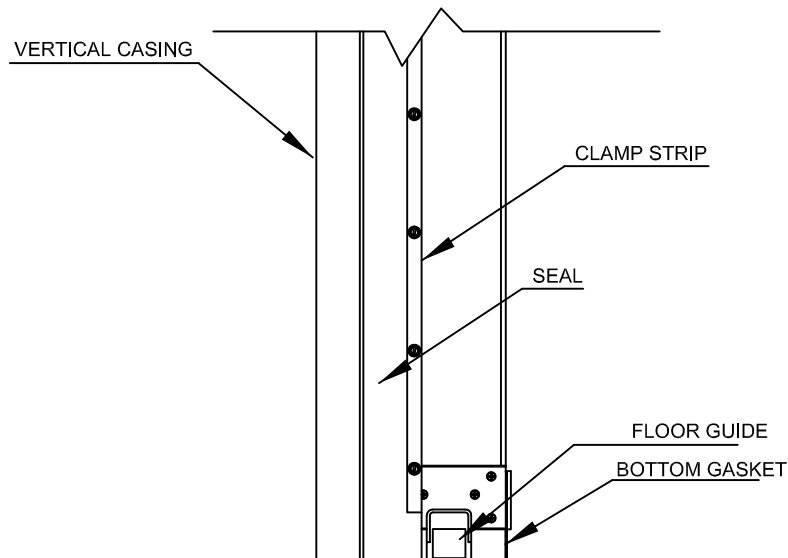
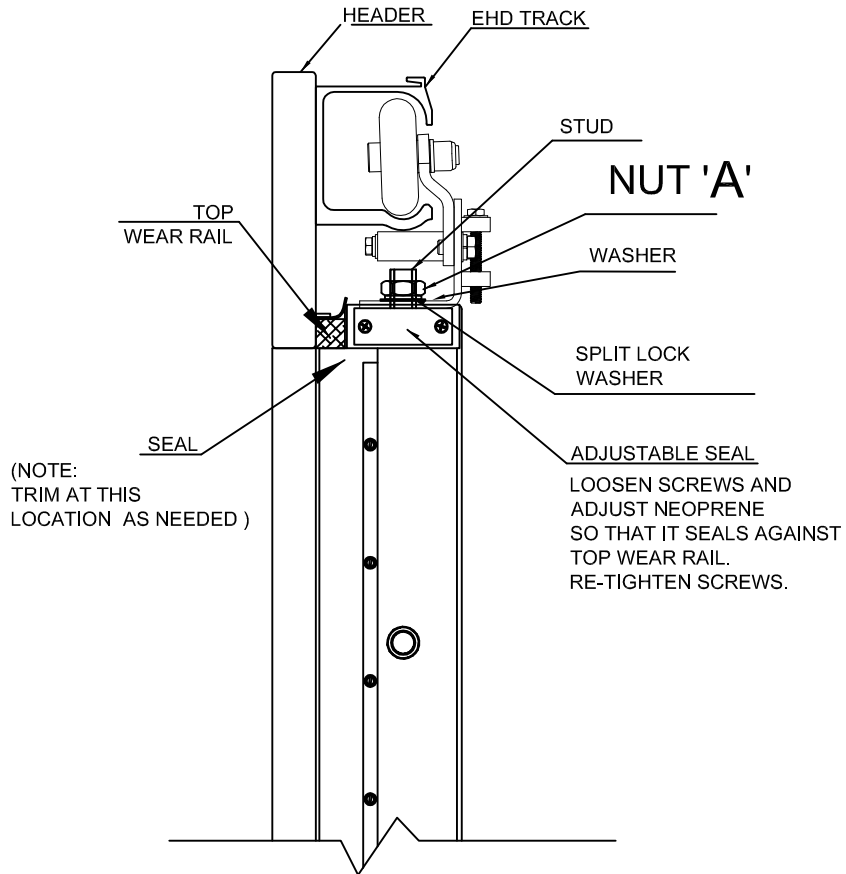
Heater(s) must connect to branch circuit overcurrent device of 15 amps.



FREEZER APPLICATION

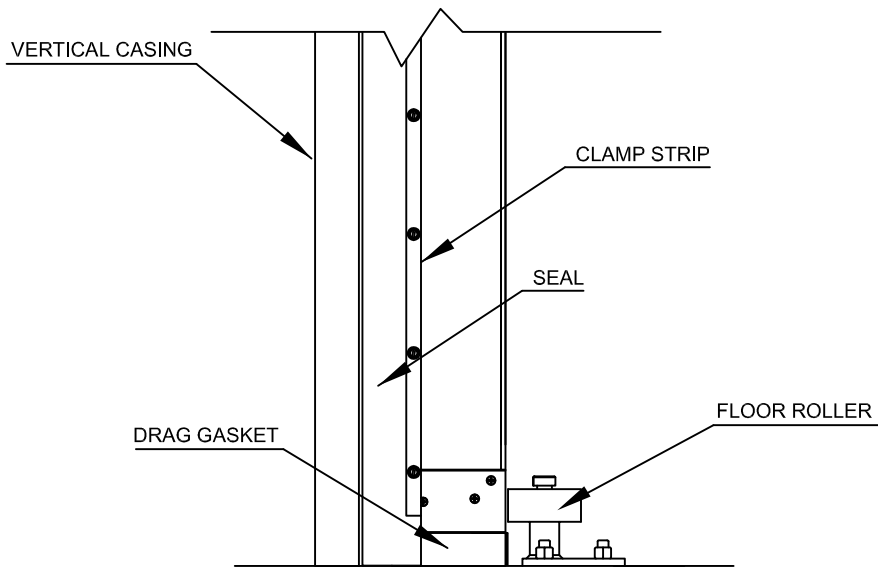
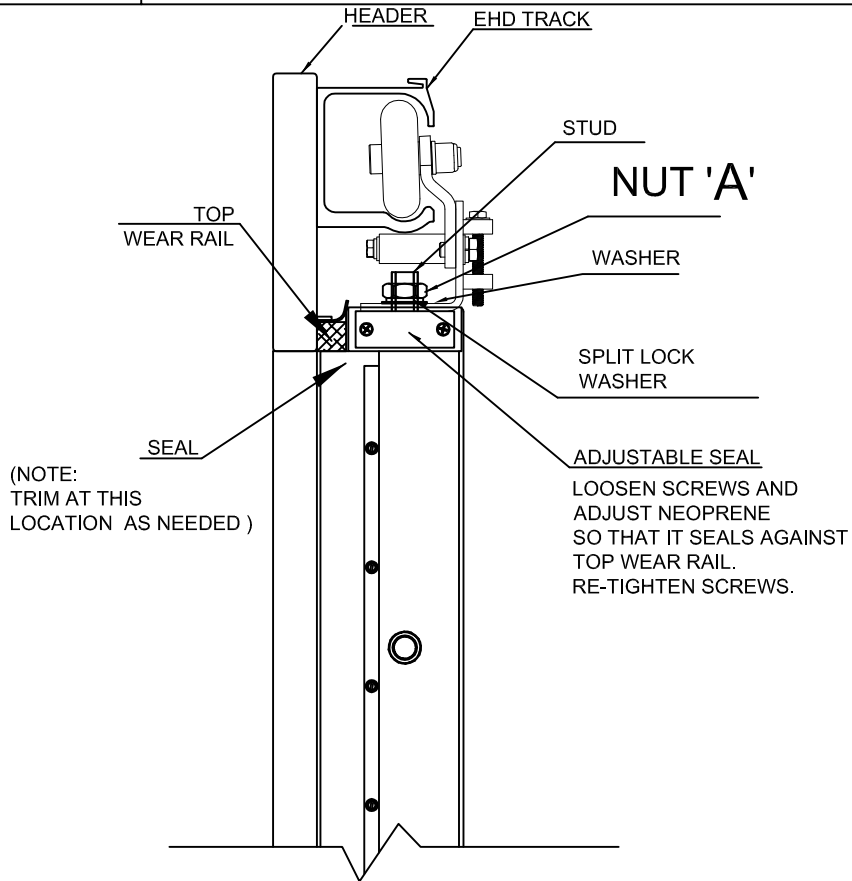
HERCULES™ Bi-PARTING DOOR INSTALLATION INSTRUCTIONS

DRAWN BY: DSD | DATE: 11/29/11



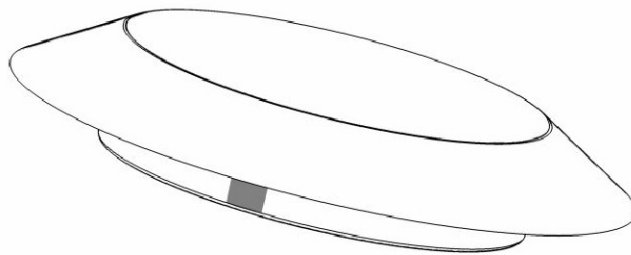
HERCULES™ Bi-PARTING DOOR INSTALLATION INSTRUCTIONS

DRAWN BY: DSD | DATE: 11/29/11



5.1 FINAL ADJUSTMENTS & CLEAN UP

After installation has been completed and tested for proper operation, install the supplied cap plugs, shown below, in all counterbored holes in the white casing members.



Cut all carriage bolts flush with the nuts and install the supplied nut caps shown below.

